





Hill Pump Adapters

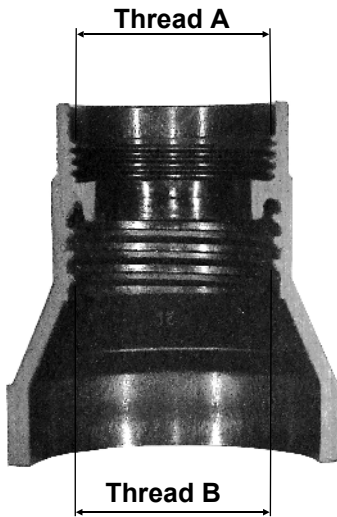
		<p><u>Multineck Adapter No 21</u> Product Code No : 06925-05 Material : Polypropylene Thread A 2" BSP Diameter B 69mm Plain</p>
		<p><u>Trisure Adapter No 22</u> Product Code No : 06960-30 Material : Polypropylene Thread A 2" BSP Thread B 56mm Major dia 51mm Minor dia 45° Buttress form 4.5mm Pitch</p>
		<p><u>US Buttress Adapter No 23</u> Product Code No : 06956-02 Material : Polypropylene Thread A 2" BSP Thread B 64mm Major dia 57mm Minor dia 45° Buttress form 5mm Pitch</p>
		<p><u>Mauser Adapter No 24</u> Product Code No : 06925-26A Material : Polypropylene Thread A 2" BSP Thread B 69mm Major dia 62mm Minor dia 45° Buttress form 6mm Pitch</p>
		<p><u>Mobil Adapter No 30</u> Product Code No : 062054-03 Material : Nylon 66 (20% Glass) Thread A 63mm Major dia 59mm Minor dia 45° Buttress form 4mm Pitch</p>

 <p>Thread A</p> <p>Thread B</p>		<p><u>Berg Adapter No 34</u> Product Code No : 05925-B1 Material : Polypropylene Thread A 2”BSP Thread B 58mm Major dia 55mm Minor dia Berg Thread form 3.5mm Pitch</p>
 <p>Thread A</p> <p>Thread B</p>		<p><u>Metal Box Adapter No 35</u> Product Code No : 05925-B4 Material : Polypropylene Thread A 2”BSP Thread B 61mm Major dia 57mm Minor dia Bottle Thread form 5mm Pitch</p>
 <p>Thread A</p> <p>Thread B</p>		<p><u>DIN 61/31 Adapter No 36</u> Product Code No : 05934-05 Material : Polypropylene Thread A 2”BSP Thread B 61mm Major dia 55mm Minor dia 45° Buttress form 6mm Pitch</p>
 <p>Thread A</p> <p>Thread B</p>		<p><u>DIN 51 Adapter No 40</u> Product Code No : 05934-06 Material : Polypropylene Thread A 2”BSP Thread B 55mm Major dia 51mm Minor dia 45° Buttress form 5mm Pitch</p>
 <p>Thread A</p> <p>Thread B</p>		<p><u>DIN71 Adapter No 41</u> Product Code No : 05934-07 Material : Polypropylene Thread A 2”BSP Thread B 71mm Major dia 66mm Minor dia 45° Buttress form 6mm Pitch</p>

 <p>Thread A</p> <p>Thread B</p>		<p><u>DIN 46 Adapter No 42</u> Product Code No : 05934-08 Material : Polypropylene Thread A 2" BSP Thread B 51mm Major dia 46mm Minor dia 45° Buttress form 4mm Pitch</p>
 <p>Thread A</p> <p>Thread B</p>		<p><u>Ropak/Mobil Adapter No 43</u> Product Code No : 05934-09 Material : Polypropylene Thread A 2" BSP Thread B 63mm Major dia 59mm Minor dia 45° Buttress form 4mm Pitch</p>

Pull-out Spout Adapters

 <p>Thread A</p> <p>Thread B</p>		<p><u>Stolz 601F Adapter No 29</u> Product Code No : 062043-01 Material : Polypropylene Thread A 1.420" x 14 T.P.I. (Whit Form) Thread B 2 Start Thread 1.380" Major dia 1.305" Minor dia 4.5 T.P.I. 0.222" Pitch</p>
 <p>Thread A</p> <p>Thread B</p>		<p><u>Stolz Esso Adapter No 31</u> Product Code No : 062051-04 Material : Polypropylene Thread A 1.420" x 14 T.P.I. (Whit Form) Thread B 2 Start Thread 1.185" Major dia 1.100" Minor dia 4.5 T.P.I. 0.222" Pitch</p>



Rieke Adapter No 32

Product Code No : 062074-01

Material : Polypropylene

Thread A 1.420" x 14 T.P.I.
(Whit Form)

Thread B 1.500" Major dia
1.400" Minor dia
Buttress form
7 T.P.I.
0.142" Pitch



Bericap Adapter No 33

Product Code No : 062095-02

Material : Polypropylene

Thread A 1.420" x 14 T.P.I.
(Whit Form)

Thread B 2 Start Thread
1.350" Major dia
1.275" Minor dia
4.5 T.P.I.
0.222" Pitch